

# eMark

# ECO

# by Solaris

Reliable Laser Coding System in easily affordable package



### eMark ECO is the Laser Coder

- Ideal solution for simple coding on the most popular packaging materials
- Creates vector quality permanent codes like alphanumerical texts, dates, times and serial numbers
- Dedicated for all markets, like food, cosmetic, beverage, pharmaceutical and other industrial sectors
- Very low running costs: no consumables, no maintenance & service downtime

### eMark ECO is reliable

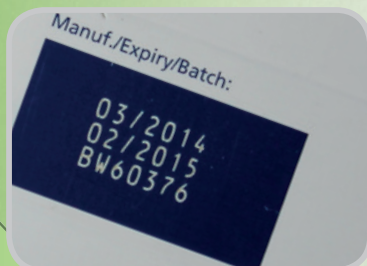
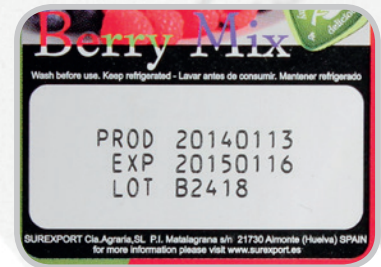
- Designed and manufactured by Solaris Laser, industry leader in high quality laser systems since over 20 years
- Offered with worldwide product support of skilled and qualified specialists

### eMark ECO is affordable

- Low investment and operation cost
- Easy integration: the shortest and most compact unit in its class, only 533mm long and 7kg weight
- Complete set of accessories for quick system installation



**Laser coding examples:  
cardboard boxes,  
paper and thermal  
labels**



# eMark

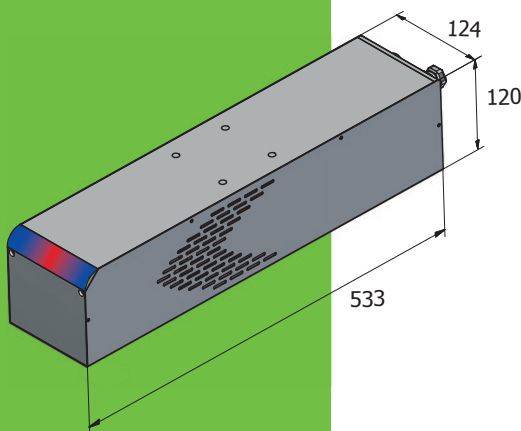
# ECO

# by Solaris

Reliable Laser Coding System in easily affordable package

## Technical Specifications

Laser type	CO <sub>2</sub> Power class 10W
Electrical requirements	115V / 230V autorange, 50/60Hz, 350W
I/O signals for installation	Shaft encoder, Product detector inputs Remote interlock, Key switch, Shutter inputs System online, Marking outputs
Cooling	Internal air cooling with integrated dust protection
Ambient temperature	10-40°C (50-104°F), suggested 15-30°C (69-86°F)
Humidity	up to 90%, non-condensing
Weight	7 kg (15 lb.)
Communication	USB / Ethernet
User Interfaces	Build in key for Start / Stop, LED status indicators Handheld touch screen terminal with user friendly, intuitive interface for Preview, Edit & New jobs creation and System setup
Software	Job editor for Windows XP, Vista, 7, 8 Multilanguage WWW site for system configuration and remote control
Safety	class 4, according to EN 60825-1
Dimensions	



### OPTIONAL EQUIPMENT

- Handheld Touch screen WYSIWYG terminal
- Fumes / Dust Extractor with active carbon filter
- Shaft Encoder with mechanical holder
- Product detector
- Floor stand with mounting bracket
- Plexiglass lens protection
- Focal length indicator

Specifications are subject to change without notice as products are continually improved.

CE and CDRH compliant



Solaris Laser S.A.  
ul. Farbiarska 39, 02-862 Warszawa, Poland,  
Tel +48 22 856 89 70, Fax +48 22 843 26 36



Solaris Laser S.A.  
LIA member since 1996